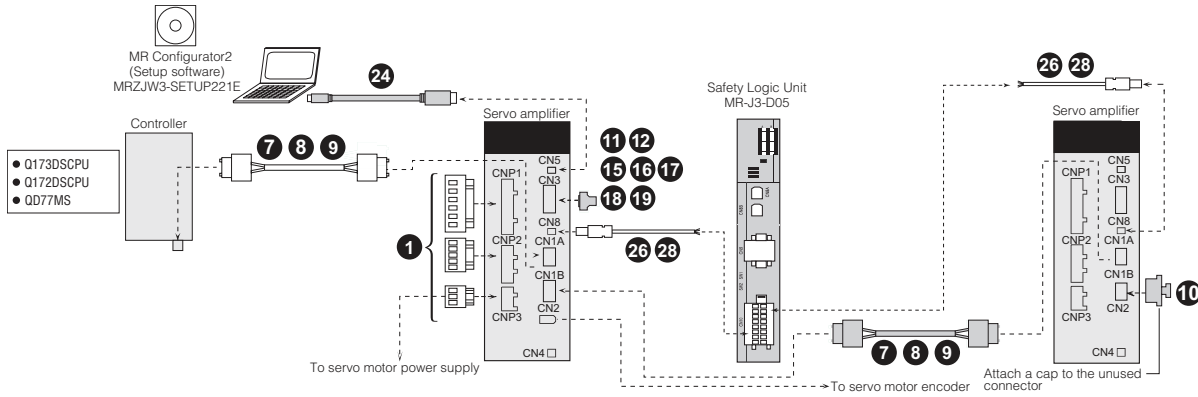
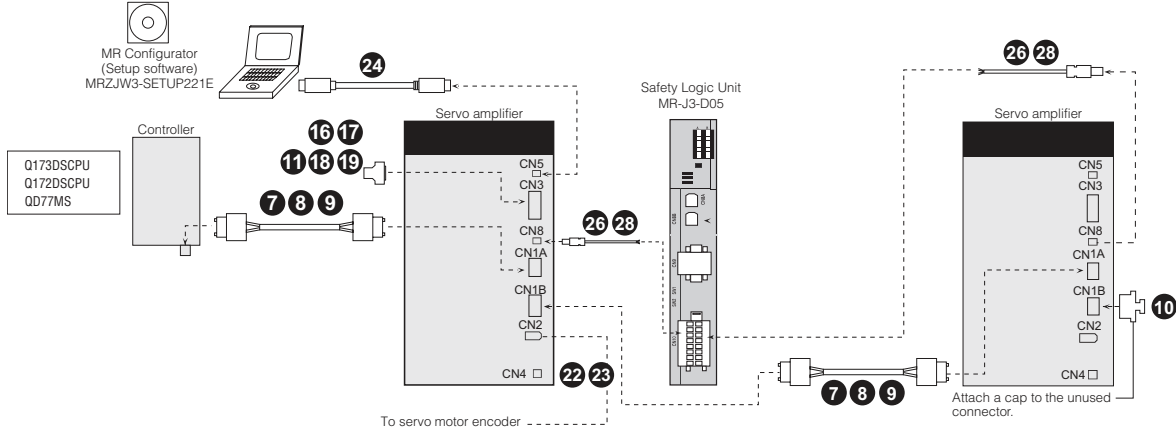


MR-J4 Servo Amplifier Cables and Connectors

MR-J4-B Type Amplifier Cables and Connectors For 3.5 kW or smaller

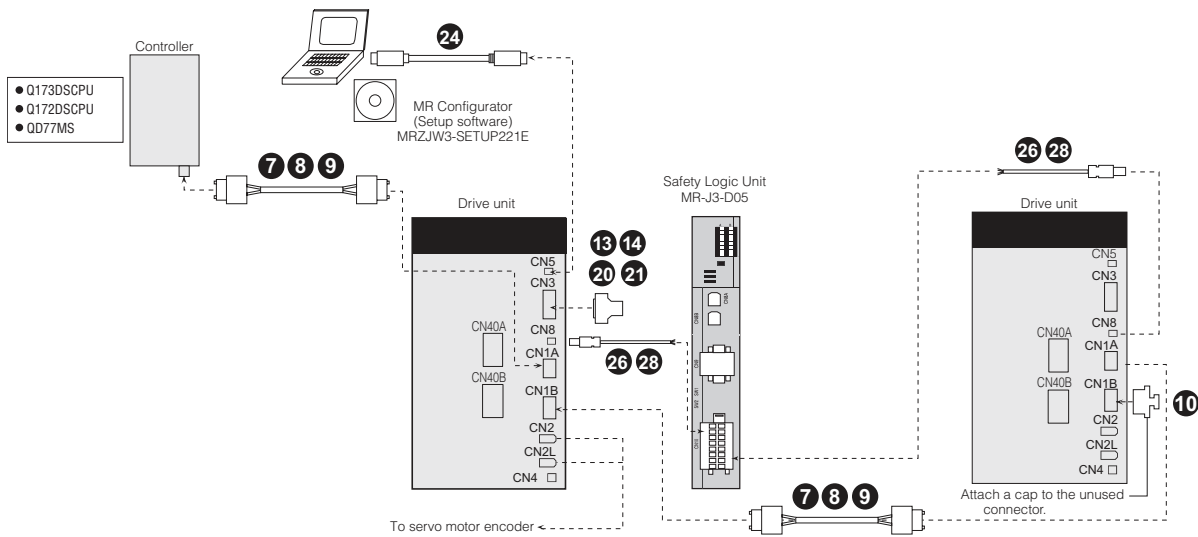


For 5 kW or larger

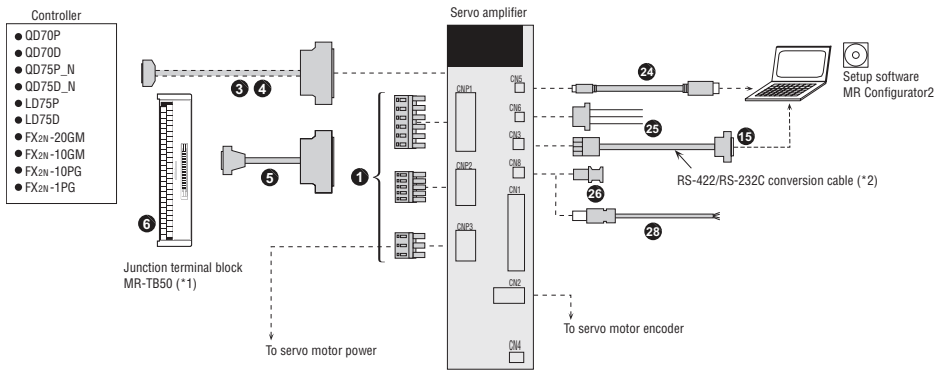


Note: Attach a SSCNET III connector cap to the unused connector.

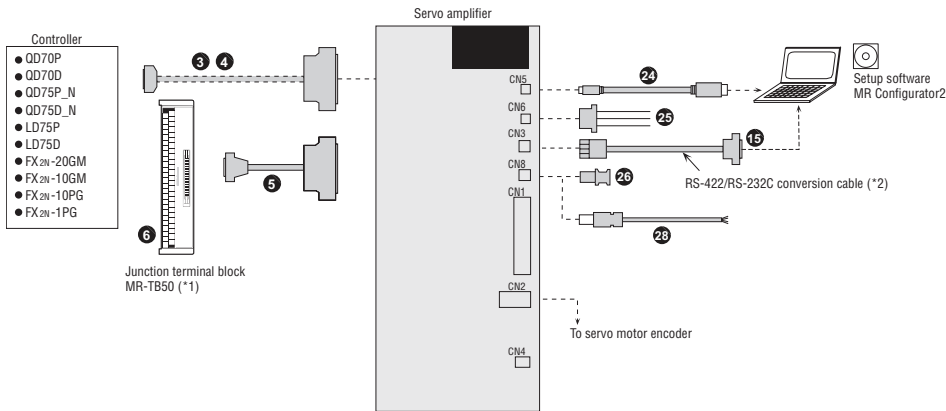
MR-J4W2-B and MR-J4W3-B Type Amplifier Cables and Connectors



MR-J4-A Type Amplifier Cables and Connectors For 3.5 kW or smaller



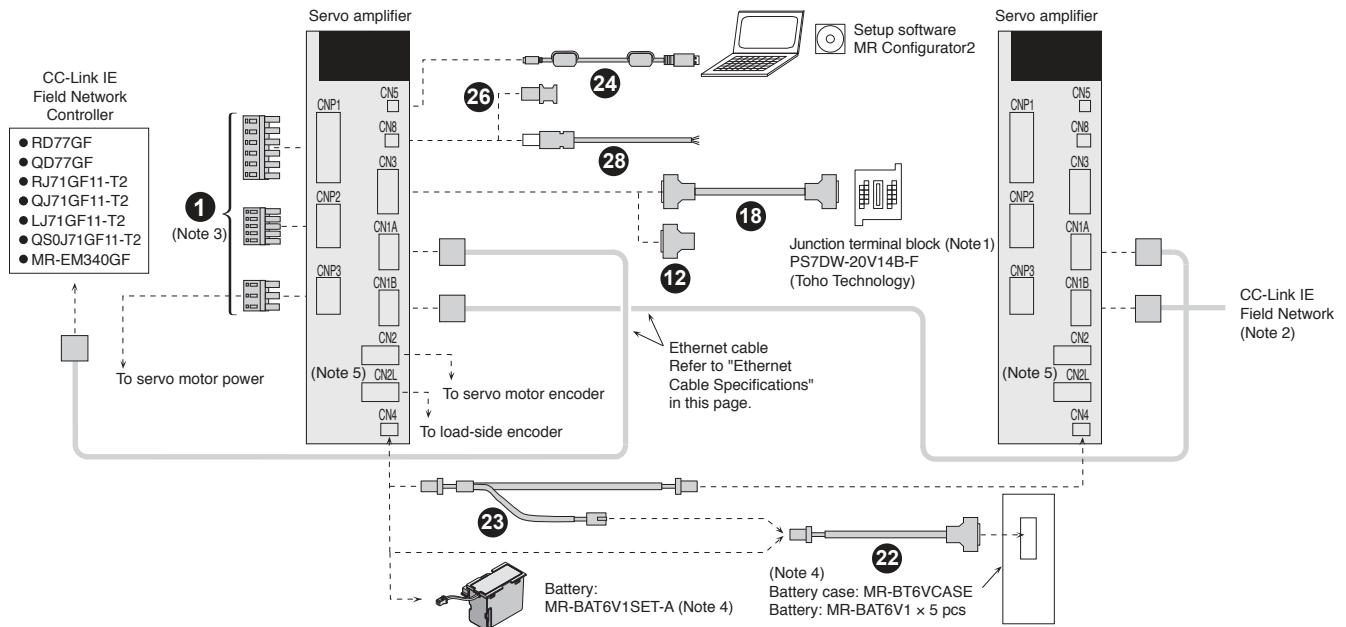
For 5 kW or larger



Notes:

1. Refer to "Junction Terminal Block" in this selection guide.
2. Refer to "Products on the Market for Servo Amplifiers" in the MR-J4 catalog.

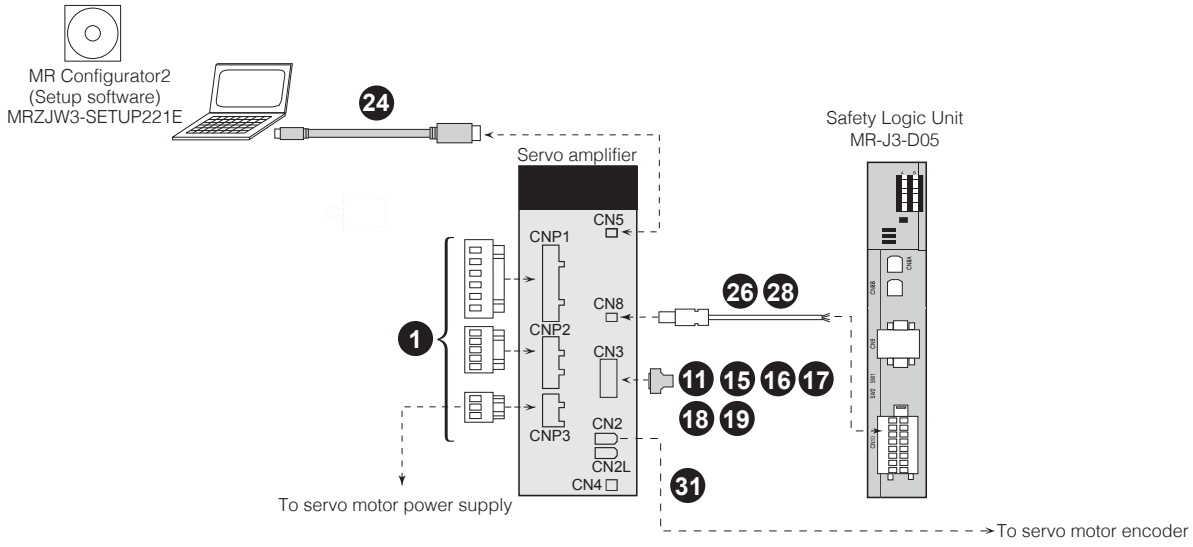
MR-J4-GF Type Amplifier Cables and Connectors



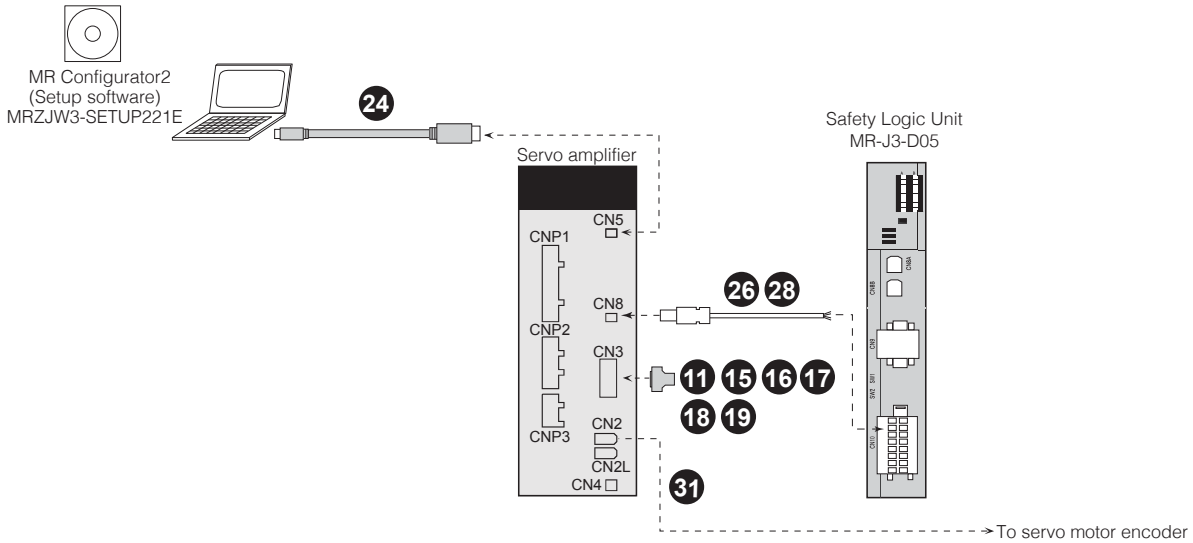
Notes:

1. Refer to "Junction Terminal Block" in this catalog.
2. When branching off CC-Link IE Field Network (synchronized communication function) with a switching hub, use N22MHG-T8F2 (Mitsubishi Electric Corporation) or DT135TX (Mitsubishi Electric System & Service Co., Ltd.).
3. The connectors are for 3.5 kW or smaller servo amplifiers. Terminal blocks are mounted for 5 kW or larger servo amplifiers.
4. Refer to "Battery" or "Battery Case and Battery" in this catalog. Battery and battery case are not required when the linear servo motor is used or when the servo amplifier is used in incremental system.
5. CN2L connector is available for MR-J4-_GF_-RJ servo amplifiers.

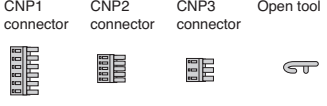
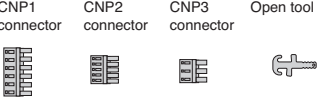
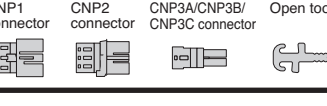
MR-J4-TM Type Amplifier Cables and Connectors
For 3.5 kW or smaller



For 5 kW or larger





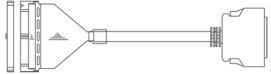
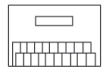
For CNP1, CNP2, CNP3

Figure Number	Item	Model Number	Stocked Item	Protection Level	Description
1	Servo Amplifier Power Connector Set (Insertion Type) For MR-J4-100A or Smaller/MR-J4-100B or Smaller (*1, *2), MR-J40100TM or Smaller	Supplied with Amplifier	-	-	CNP1 connector CNP2 connector CNP3 connector Open tool 
	Servo Amplifier Power Connector Set (Insertion Type) For MR-J4-200A/MR-J4-200B/MR-J4-350A/MR-J4-350B (*1, *2), MR-J4-350TM	Supplied with Amplifier	-	-	CNP1 connector CNP2 connector CNP3 connector Open tool 
2	Servo Amplifier Power Connector Set (Insertion Type) For MR-J4W2-B/MR-J4W3-B (*2, *3)	Supplied with Amplifier	-	-	CNP1 connector CNP2 connector CNP3A/CNP3B/ CNP3C connector Open tool 

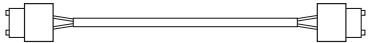

Notes:

1. This connector set is not required for 5 kW or larger servo amplifiers since terminal blocks are mounted. Refer to servo amplifier dimensions in this catalog for more details.
2. The wire size shows wiring specification of the connector. Refer to "Selection Example in HIV Wires for Servo Motors" in this catalog for examples of wire size selection.
3. Press bonding type is also available. Refer to "MR-J4W_-_B Servo Amplifier Instruction Manual" for details.

For CN1


Figure Number	Item	Model Number	Stocked Lengths	Protection Level	Description
3	Connector Set For MR-J4-A	MR-J3CN1	S	-	
4	CN1 Pigtail Cable (50 Pin)	MR-J3CCN1CBL-_M (_ = cable length 3, 5m)	3, 5	-	
5	Junction Terminal Block Cable (With Ground Clamp)	MR-J2M-CN1TBL_M (_ = cable length 0.5, 1m) (For use with MR-TB50 and MR-TB50MIN Junction Terminal Block)	05, 1	-	
	Junction Terminal Block Cable (Without Ground Clamp)	MR-J2M-CN1TBL_M-G (_ = cable length 0.4, 1m) (For use with MR-TB50 and MR-TB50MIN Junction Terminal Block)	04, 1	-	
6	Junction Terminal Block	MR-TB50	S	-	
		MR-TB50MIN (reduced size - width = 145mm (5.71 in))	S	-	

For Controller, CN1A, CN1B



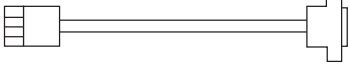






Figure Number	Item	Model Number	Stocked Lengths	Protection Level	Description
7	SSCNET III Cable (Standard Cord for Inside Cabinet) Compatible With SSCNET III(H) For MR-J4-B/MR-J4W2-B/MR-J4W3-B (*1)	MR-J3BUS_M (_ = cable length 0.15, 0.3, 0.5, 1, 3m)	S	-	
8	SSCNET III Cable (Standard Cable for Outside Cabinet) Compatible With SSCNET III(H) For MR-J4-B/MR-J4W2-B/MR-J4W3-B (*1)	MR-J3BUS_M-A (_ = cable length 5, 10, 20m)	S	-	
9	SSCNET III Cable (Long Distance Cable, Long Bending Life) Compatible With SSCNET III(H) For MR-J4-B/MR-J4W2-B/MR-J4W3-B (*1)	MR-J3BUS_M-B (_ = cable length 30, 40, 50m)	S	-	
	SSCNET III/H Cable (Super High Flex Long Distance) Compatible with SSCNET III/H only (not SSCNET III)	SC-J3BUS_M-C(B) (_ = cable length 10, 20, 30, 40, 50, 60, 70, 80, 90, 100m)	-	-	
10	SSCNET III Connector Cap. Compatible With SSCNET III(H). For MR-J4-B/MR-J4W2-B/MR-J4W3-B	Supplied with Amplifier	S	-	

Note 1: Read carefully through the precautions enclosed with the options before use.


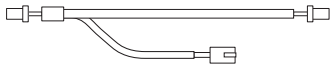
For CN2L

Figure Number	Item	Model Number	Stocked Lengths	Protection Level	Description
31	Flying Lead Cable for CN2L External Encoder Input, 1 Meter	MR-CN2LABZ1M-H	S	-	


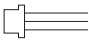
For CN3

Figure Number	Item	Model Number	Stocked Item	Protection Level	Description
11	Connector Set For MR-J4-B	MR-J2CN1	-	-	
12	Connector Set (Qty: 1 pc) For MR-J4W2-B/ MR-J4W3-B	MR-J2CMP2	S	-	
13	Connector Set For MR-J4W2-B/MR-J4W3-B	MR-ECN1	S	-	
14	Junction Terminal Block Cable For Connecting MR-J4W2-B/MR-J4W3-B and MR-TB26A	MR-TBNATBL_M (_ = cable length 0.5, 1m)	S	-	
15	RS-232 to RS-485 Converter PC to CN3 (3M)	SC-FRPC (Cable length 3m)	S	-	
16	CN10 or CN3 Signal Connector (20 pin)	MR-J2CN1	S	-	
17	CN10 or CN3 Pigtail Cable (20 pin)	MR-CCN1CBL_M (_ = cable length 3, 5m)	3, 5	-	
18	Cable for PS7DW-20V14B-F Terminal Block	MR-J2HBUS_M	05, 1, 3, 5	-	
19	20 Pin Terminal Block for J4-B (TB20 cannot be used)	PS7DW-20V14B-F	S	-	
20	CN6 Pigtail Cable (26 Pin)	MR-ECN1CBL-3M	S	-	
21	Junction Terminal Block (For use with Cable No. 14)	MR-TB26A	S	-	



For CN4

Figure Number	Item	Model Number	Stocked Lengths	Protection Level	Description
22	Battery Cable For Connecting MR-J4W2-B/ MR-J4W3-B and MR-BT6VCASE	MR-BT6V1CBL_M (_ = cable length 0.3, 1m)	S	-	
23	Junction Battery Cable For MR-J4W2-B/MR-J4W3-B	MR-BT6V2CBL_M (_ = cable length 0.3, 1m)	S	-	


For CN5 and CN6

Figure Number	Item	Model Number	Stocked Lengths	Protection Level	Description
24	CN5 Personal Computer Communication Cable (USB cable) For MR-J4-A/MR-J4-B/MR-J4W2-B/ MR-J4W3-B, MR-J4-DU, MR-J4-TM	MR-J3US8CBL3M	3m	-	
25	CN6 Monitor Cable For MR-J4-A	MR-J3CN6CBL1M	1m	-	

For CN8

Figure Number	Item	Model Number	Stocked Lengths	Protection Level	Description
26	Short-Circuit Connector For MR-J4-A/MR-J4-B/ MR-J4W2-B/MR-J4W3-B, MR-J4-TM	1971153-1 (Supplied with Amplifier)	S	-	
28	STO Cable	MR-J4-D05UDL3M-B	3m	-	

For MR-J3-D05 CN9 and CN10

Figure Number	Item	Model Number	Stocked Lengths	Protection Level	Description
29	CN9 Connector	Supplied with MR-J3-D05	-	-	
30	CN10 Connector	Supplied with MR-J3-D05	-	-	