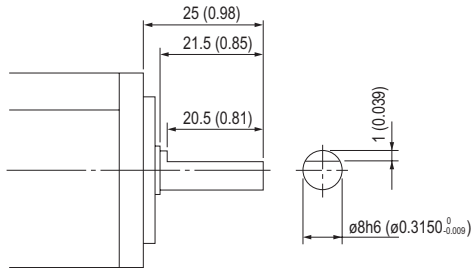


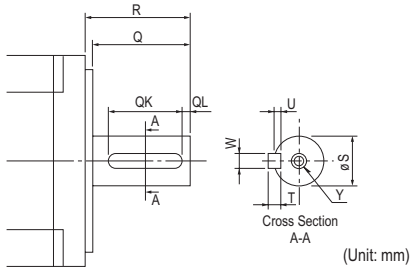
MR-J4 Motor Shaft Details and Servo Motor Dimensions

HG-KR / HG-MR Series: D-Cut Shaft (50W & 100W Motors Only)



Unit: mm (inch)

Keyway With Key Included

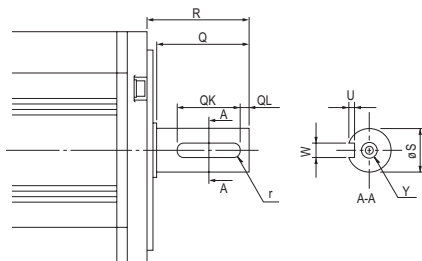


Motor Model	Capacity (W)	Variable Dimensions								
		T	S	R	Q	W	QK	QL	U	Y
HG-KR_K	23(B) 43(B)	5 (0.20)	14h6 (0.554)	30 (1.18)	26	5 (0.20)	20 (0.79)	3 (0.12)	3 (0.12)	M4 Depth 15 (0.59)
	73(B)	6 (0.24)	19h6 (0.7480)	40 (1.57)	36	6 (0.24)	25 (0.98)	5 (0.20)	3.5 (0.14)	M5 Depth 20 (0.79)

Motor Model	Capacity (W)	Variable Dimensions								
		T	S	R	Q	W	QK	QL	U	Y
HG-MR_K	23(B) 43(B)	5 (0.20)	14h6 (0.554)	30 (1.18)	26	5 (0.20)	20 (0.79)	3 (0.12)	3 (0.12)	M4 Depth 15 (0.59)
	73(B)	6 (0.24)	19h6 (0.7480)	40 (1.57)	36	6 (0.24)	25 (0.98)	5 (0.20)	3.5 (0.14)	M5 Depth 20 (0.79)

HG-SR Series 200V

Keyway With No Key Supplied (Customer must supply key or order key part separately below)

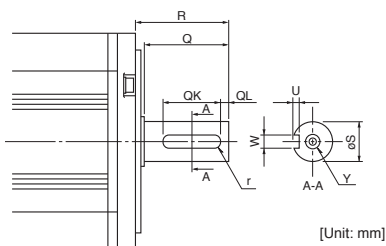


Motor Model	Capacity (W)	Variable Dimensions										Key Dimensions	Key Model Number	Stocked Item
		S	R	Q	W	QK	QL	U	r	Y				
HG-SR_K	51(B) 81(B)	24h6 (0.554)	55	50	8 0 -0.036	36	5 (0.20)	4 +0.2 0	4	M8 screw depth 20	8x7x28	MTR KEY 8-7-28	S	
	121(B) 201(B) 301(B) 421(B)	35 +0.01 0	79	75	10 0 -0.036	55	5 (0.20)	5 +0.2 0	5					10x8x45

Motor Model	Capacity (W)	Variable Dimensions										Key Dimensions	Key Model Number	Stocked Item
		S	R	Q	W	QK	QL	U	r	Y				
HG-SR_K	52(B) 102(B) 152(B)	24h6 (0.554)	55	50	8 0 -0.036	36	5 (0.20)	4 +0.2 0	4	M8 screw depth 20	8x7x28	MTR KEY 8-7-28	S	
	202(B) 352(B) 502(B) 702(B)	35 +0.01 0	79	75	10 0 -0.036	55	5 (0.20)	5 +0.2 0	5					10x8x45

HG-SR Series 400V

Keyway With No Key Supplied (Customer must supply key or order key part separately below)

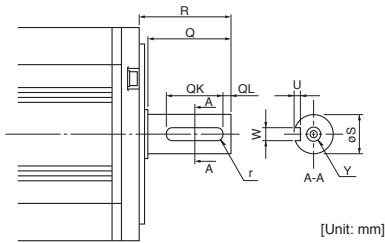


Motor Model	Capacity (W)	Variable Dimensions										Key Dimensions	Key Model Number	Stocked Item
		S	R	Q	W	QK	QL	U	r	Y				
HG-SR_K	524(B) 1024(B) 1524(B)	24h6 (0.554)	55	50	8 0 -0.036	36	5 (0.20)	4 +0.2 0	4	M8 screw depth 20	8x7x28	MTR KEY 8-7-28	S	
	2024(B) 3524(B) 5024(B) 7024(B)	35 +0.01 0	79	75	10 0 -0.036	55	5 (0.20)	5 +0.2 0	5					(N/A) Key to be supplied by customer.

General Notes:

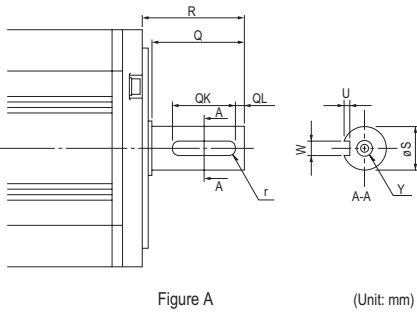
1. The Servo Motors with special shaft end are not suitable for frequent start/stop applications.
2. A key is not supplied with the Servo Motor. The key shall be installed by the user.

HG-JR 3000 Series 200V
Keyway With No Key Supplied (Customer must supply key or order key part separately below)



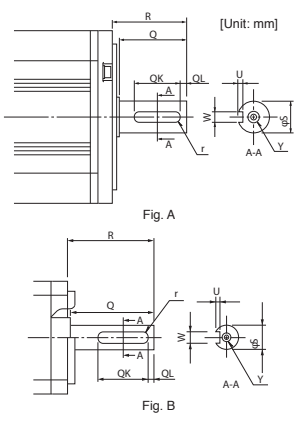
Motor Model	Capacity (W)	Variable Dimensions									Key Dimensions	Key Model Number	Stocked Item
		S	R	Q	W	QK	QL	U	r	Y			
HG-JR_K	53(B) 73(B) 103(B) 153(B) 203(B)	16h6	40	30	5 ⁰ _{-0.030}	25	2	3 ^{+0.1} ₀	2.5	M4 screw depth 15	(N/A) Key to be supplied by customer.		
	353(B) 503(B)	28h6	55	50	8 ⁰ _{-0.036}	36	5	4 ^{+0.2} ₀	4	M8 screw depth 20	8x7x28	MTR KEY 8-7-28	S
	703(B) 903(B)	35 ^{+0.01} ₀	79	75	10 ⁰ _{-0.036}	55	5	5 ^{+0.2} ₀	5	M8 screw depth 20	(N/A) Key to be supplied by customer.		

HG-JR 3000 Series 400V
Keyway With No Key Supplied (Customer must supply key or order key part separately below)



Motor Model	Capacity (W)	Variable Dimensions									Key Dimensions	Key Model Number	Stocked Item
		S	R	Q	W	QK	QL	U	r	Y			
HG-JR_K	534(B) 734(B) 1034(B) 1534(B) 2034(B)	16h6	40	30	5 ⁰ _{-0.030}	25	2	3 ^{+0.1} ₀	2.5	M4 screw depth 15	(N/A) Key to be supplied by customer.		
	3534(B) 5034(B)	28h6	55	50	8 ⁰ _{-0.036}	36	5	4 ^{+0.2} ₀	4	M8 screw depth 20	8x7x28	MTR KEY 8-7-28	S
	7034(B) 9034(B)	35 ^{+0.01} ₀	79	75	10 ⁰ _{-0.036}	55	5	5 ^{+0.2} ₀	5	M8 screw depth 20	(N/A) Key to be supplied by customer.		

HG-JR 1500 Series 200/400V
Keyway With No Key Supplied (Customer must supply key or order key part separately below)



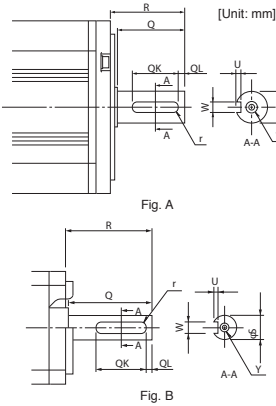
Motor Model	Capacity (W)	Variable Dimensions									Key Dimensions	Key Model Number	Stocked Item
		S	R	Q	W	QK	QL	U	r	Y			
HG-JR_K	701M(B) 701M4(B)	42h6	85	79	12 ⁰ _{-0.040}	70	5	5 ^{+0.2} ₀	6	M8 screw depth 19.8	A	(N/A) Key to be supplied by customer.	
	11K1M(B) 15K1M(B) 11K1M4(B) 15K1M4(B)	55m6	116	110	16 ⁰ _{-0.040}	90	5 (0.20)	6 ^{+0.2} ₀	8	M10 screw depth 27	A	(N/A) Key to be supplied by customer.	
	22K1M 30K1M 37K1M 22K1M4 30K1M4 37K1M4	65m6	140	130	18 ⁰ _{-0.040}	120	5 (0.20)	7 ^{+0.2} ₀	9	M12 screw depth 25	A	(N/A) Key to be supplied by customer.	
	45K1M4 55K1M4	80m6	140	140	22 ⁰ _{-0.040}	132	7	9 ^{+0.2} ₀	11	M16 screw depth 30	B	(N/A) Key to be supplied by customer.	

- General Notes:**
1. The Servo Motors with special shaft end are not suitable for frequent start/stop applications.
 2. A key is not supplied with the Servo Motor. The key shall be installed by the user.

HG-JR 1000 Series 200/400V

Keyway With No Key Supplied (Customer must supply key or order key part separately below)

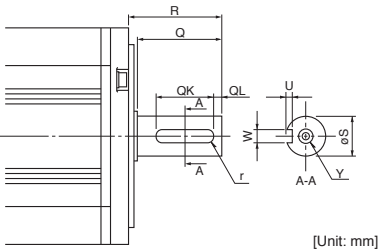
Key shaft (without key) (*1, *2)



Motor Model	Capacity (W)	Variable Dimensions										Figure	Model Number
		S	R	Q	W	QK	QL	U	r	Y			
HG-JR_K	601(B) 6014(B)	42h6	85	79	12 ⁰ -0.040	70	5	5 ^{+0.2} 0	6	M8 screw depth 19.8	A	(N/A) Key to be supplied by customer.	
	801(B) 8014(B) 12K1(B) 12K14(B)	55m6	116	110	16 ⁰ -0.040	90	5	6 ^{+0.2} 0	8	M10 screw depth 27	A		
	15K1 15K14 20K1 20K14 25K1 25K14	65m6	140	130	18 ⁰ -0.040	120	5	7 ^{+0.2} 0	9	M12 screw depth 25	A		
	30K1 30K14 37K1 37K14	80m6	140	140	22 ⁰ -0.040	132	7	9 ^{+0.2} 0	11	M16 screw depth 30	B		

HG-RR Series 200V

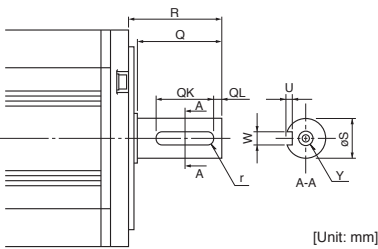
Keyway With No Key Supplied (Customer must supply key or order key part separately below)



Motor Model	Capacity (W)	Variable Dimensions										Key Dimensions	Key Model Number	Stocked Item
		S	R	Q	W	QK	QL	U	r	Y				
HG-RR_K	103(B) 153(B) 203(B)	24h6	45	40	8 ⁰ -0.036	25	5	4 ^{+0.2} 0	4	M8 screw depth 20	8x7x16	MTR KEY 8-7-16	S	
	353(B) 503(B)	28h6	63	58	8 ⁰ -0.036	53	3	4 ^{+0.2} 0	4		8x7x45	MTR KEY 8-7-45	S	

HG-UR Series 200V

Keyway With No Key Supplied (Customer must supply key or order key part separately below)



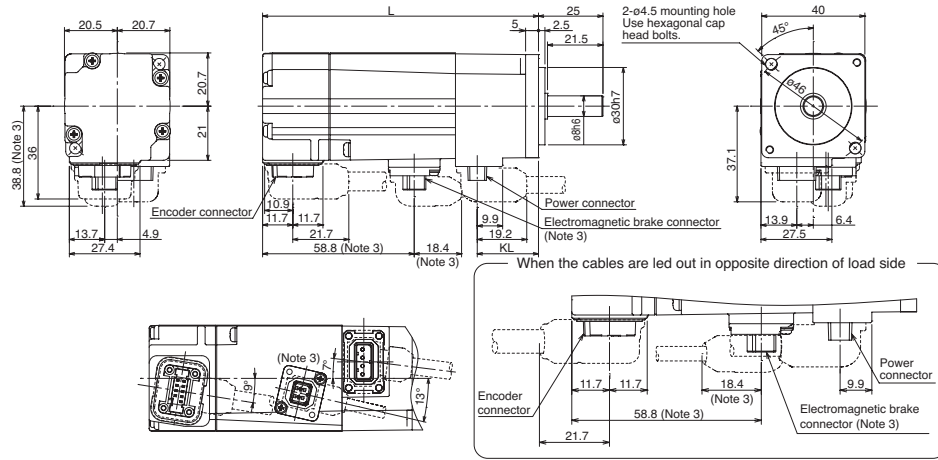
Motor Model	Capacity (W)	Variable Dimensions										Key Dimensions	Key Model Number	Stocked Item
		S	R	Q	W	QK	QL	U	r	Y				
HG-UR_K	72(B)	22h6	55	50	6 ⁰ -0.036	42	3	3.5 ^{+0.1} 0	3	M8 screw depth 20	6x6x36	MTR KEY 6-6-36	S	
	152(B)	28h6	55	50	8 ⁰ -0.036	40	3	4 ^{+0.2} 0	4		8x7x36	MTR KEY 8-7-36	S	
	202(B) 352(B) 502(B)	35 ^{+0.01} 0	65	60	10 ⁰ -0.036	50	5	5 ^{+0.2} 0	5		10x8x45	MTR KEY 10-8-45	S	

General Notes:

1. The Servo Motors with special shaft end are not suitable for frequent start/stop applications.
2. A key is not supplied with the Servo Motor. The key shall be installed by the user.

HG-KR/HG-MR Series Dimensions (*1, *5, *6)

HG-KR053(B), HG-KR13(B)
HG-MR053(B), HG-MR13(B)



Power connector



Pin No.	Signal name
1	⊕ (PE)
2	U
3	V
4	W

Electromagnetic brake connector (Note 2)

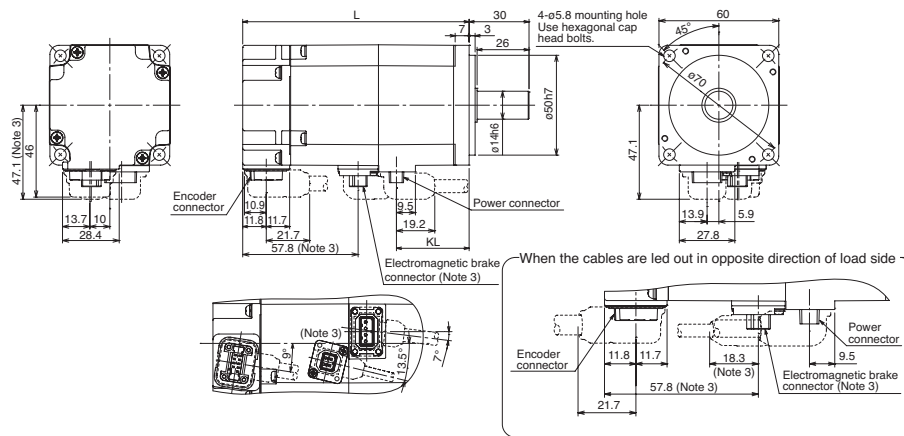


Pin No.	Signal name
1	B1
2	B2

Model	Variable dimensions (Note 4)	
	L	KL
HG-KR053(B) HG-MR053(B)	66.4 (107)	23.8
HG-KR13(B) HG-MR13(B)	82.4 (123)	39.8

[Unit: mm]

HG-KR23(B), HG-KR43(B) HG-MR23(B), HG-MR43(B)



Power connector



Pin No.	Signal name
1	⊕ (PE)
2	U
3	V
4	W

Electromagnetic brake connector (Note 2)

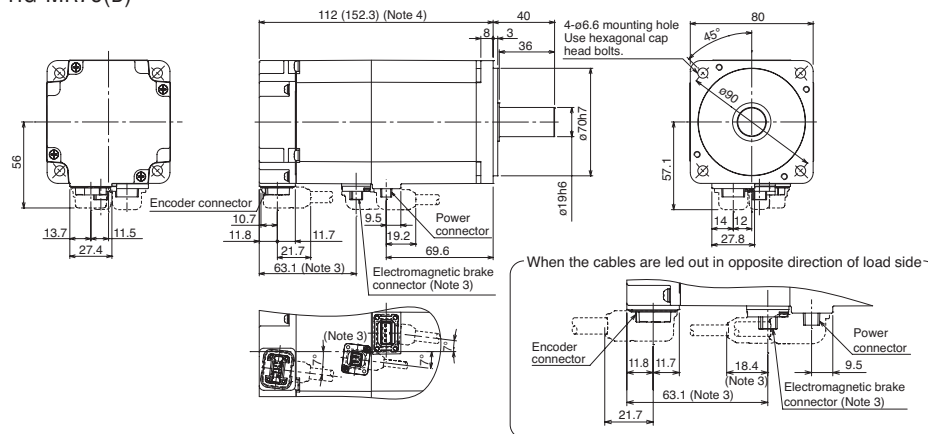


Pin No.	Signal name
1	B1
2	B2

Model	Variable dimensions (Note 4)	
	L	KL
HG-KR23(B) HG-MR23(B)	76.6 (113.4)	36.4
HG-KR43(B) HG-MR43(B)	98.3 (135.1)	58.1

[Unit: mm]

HG-KR73(B) HG-MR73(B)



Power connector



Pin No.	Signal name
1	⊕ (PE)
2	U
3	V
4	W

Electromagnetic brake connector (Note 2)



Pin No.	Signal name
1	B1
2	B2

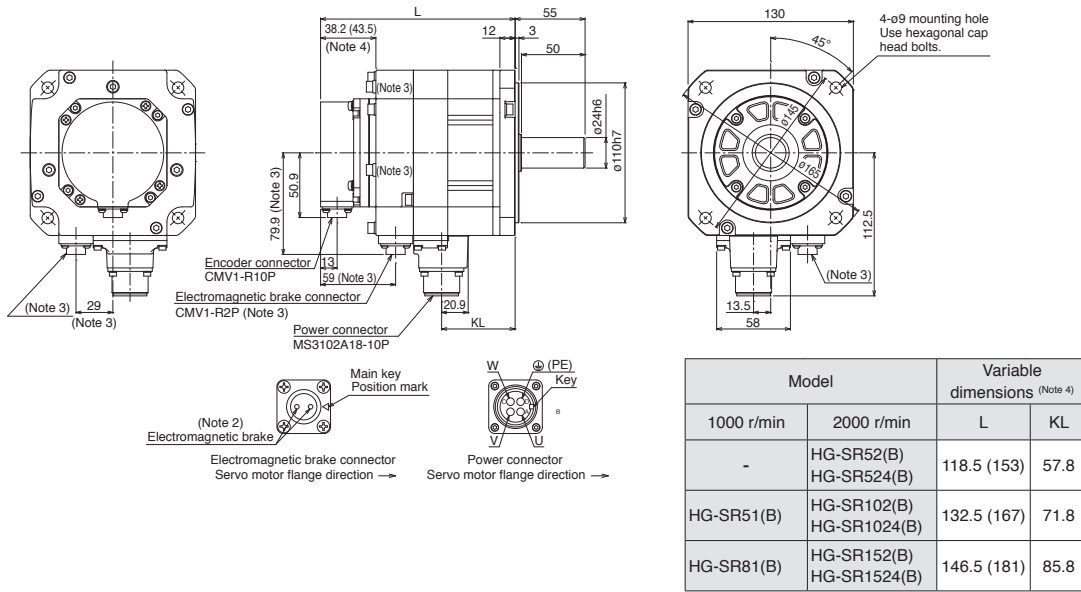
[Unit: mm]

Notes:

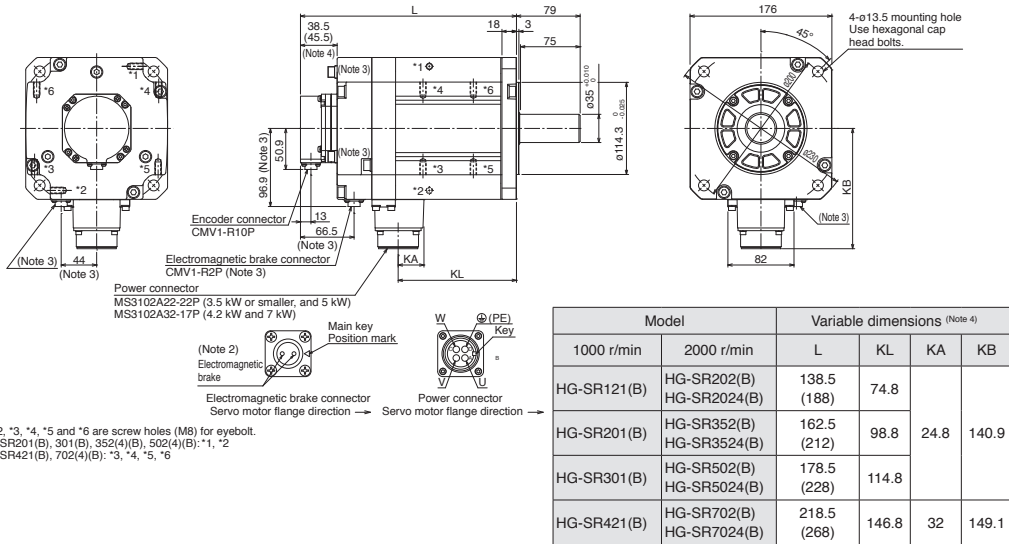
- For dimensions without tolerance, general tolerance applies.
- The electromagnetic brake terminals (B1, B2) do not have polarity.
- Only for the models with electromagnetic brake.
- Dimensions in brackets are for the models with electromagnetic brake.
- Use a friction coupling to fasten a load.
- Servo motors with oil seal (HG-KR_J and HG-MR_J) have different dimensions. Contact your local sales office for more details.

HG-SR Series Dimensions (*1, *5)

HG-SR51(B), HG-SR81(B)
 HG-SR52(B), HG-SR102(B), HG-SR152(B)
 HG-SR524(B), HG-SR1024(B), HG-SR1524(B)



HG-SR121(B), HG-SR201(B), HG-SR301(B), HG-SR421(B)
 HG-SR202(B), HG-SR352(B), HG-SR502(B), HG-SR702(B)
 HG-SR2024(B), HG-SR3524(B), HG-SR5024(B), HG-SR7024(B)



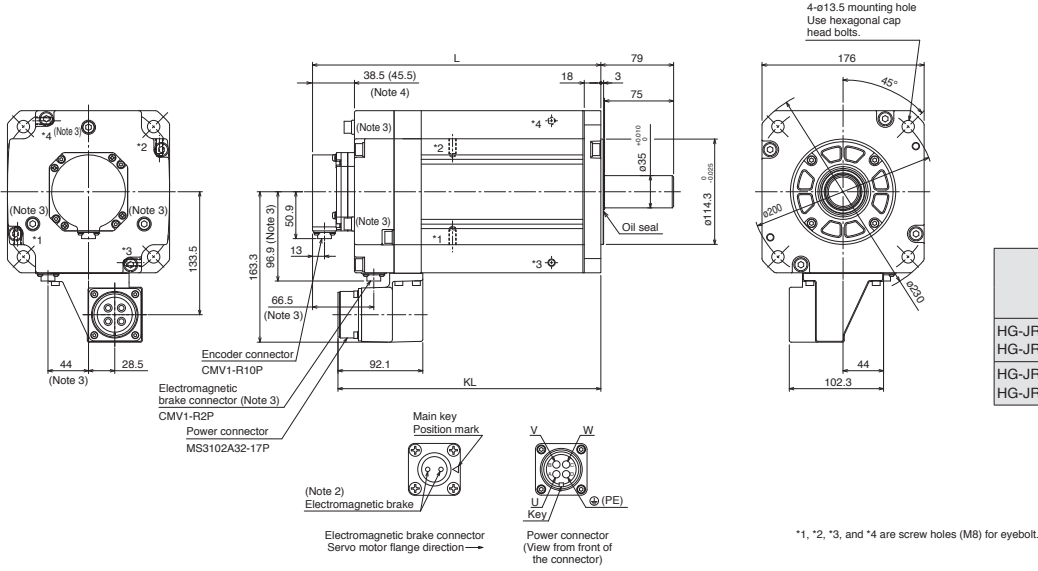
[Unit: mm]

Notes:

- For dimensions without tolerance, general tolerance applies.
- The electromagnetic brake terminals do not have polarity.
- Only for the models with electromagnetic brake.
- Dimensions in brackets are for the models with electromagnetic brake.
- Use a friction coupling to fasten a load.

HG-JR Series Dimensions (*1, *5)

HG-JR703(B), HG-JR903(B)
 HG-JR7034(B), HG-JR9034(B)

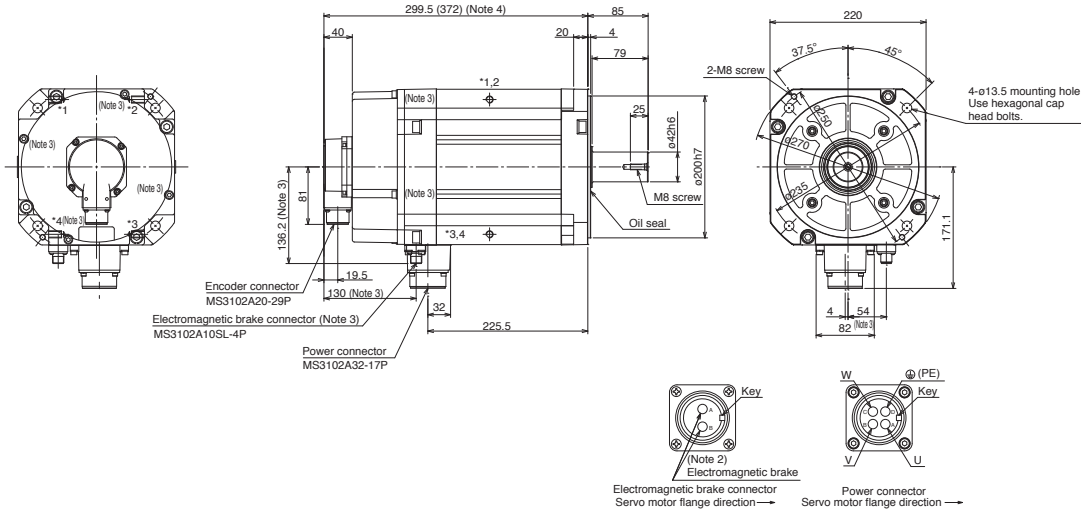


Model	Variable dimensions (Note 4)	
	L	KL
HG-JR703(B) HG-JR7034(B)	263.5 (313)	285.4
HG-JR903(B) HG-JR9034(B)	303.5 (353)	325.4

[Unit: mm]

HG-JR Series Dimensions (*1, *5)

HG-JR601(B), HG-JR701M(B), HG-JR6014(B), HG-JR701M4(B)



*1, *2, *3, and *4 are screw holes (M10) for eyebolt.

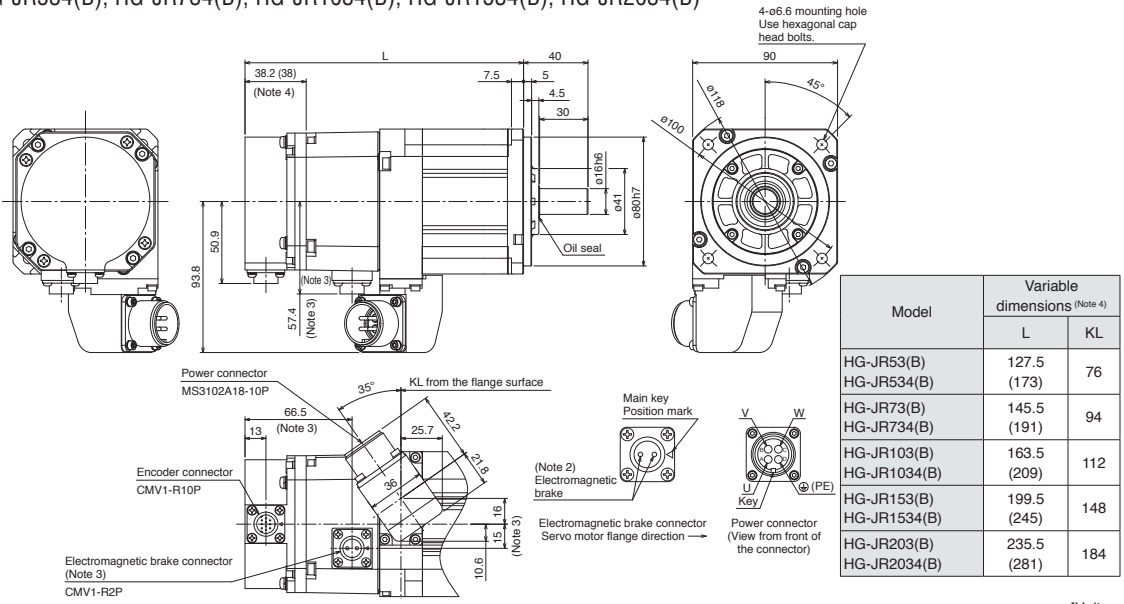
[Unit: mm]

Notes:

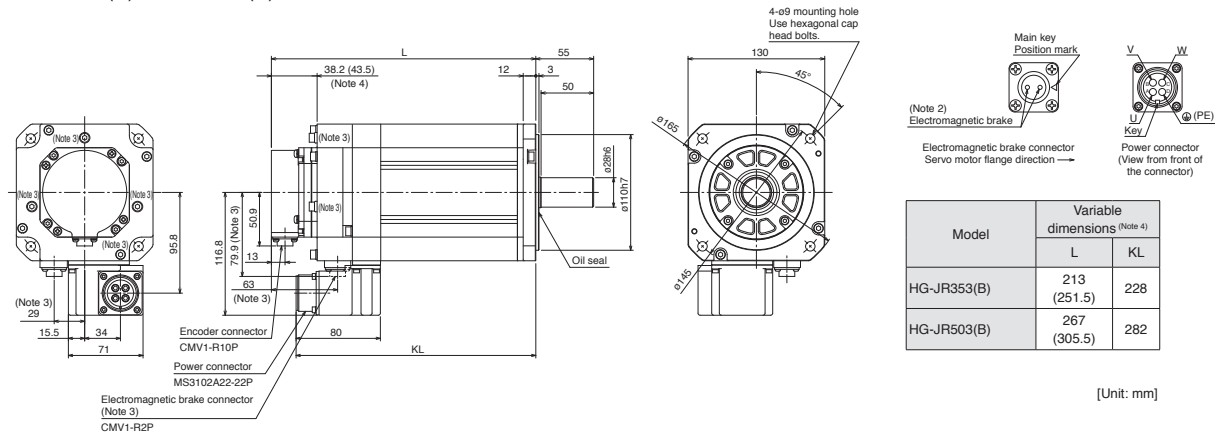
1. For dimensions without tolerance, general tolerance applies.
2. The electromagnetic brake terminals do not have polarity.
3. Only for the models with electromagnetic brake.
4. Dimensions in brackets are for the models with electromagnetic brake.
5. Use a friction coupling to fasten a load.
6. Leave a clearance of at least 150 mm between the intake side of the Servo Motor and wall.
7. Prevent oil, water, dust, and other foreign matter from entering the Servo Motor through the lead hole.
8. A washer is placed between the eyebolt and the Servo Motor to adjust the bolt angle.

HG-JR Series Dimensions (*1, *5)

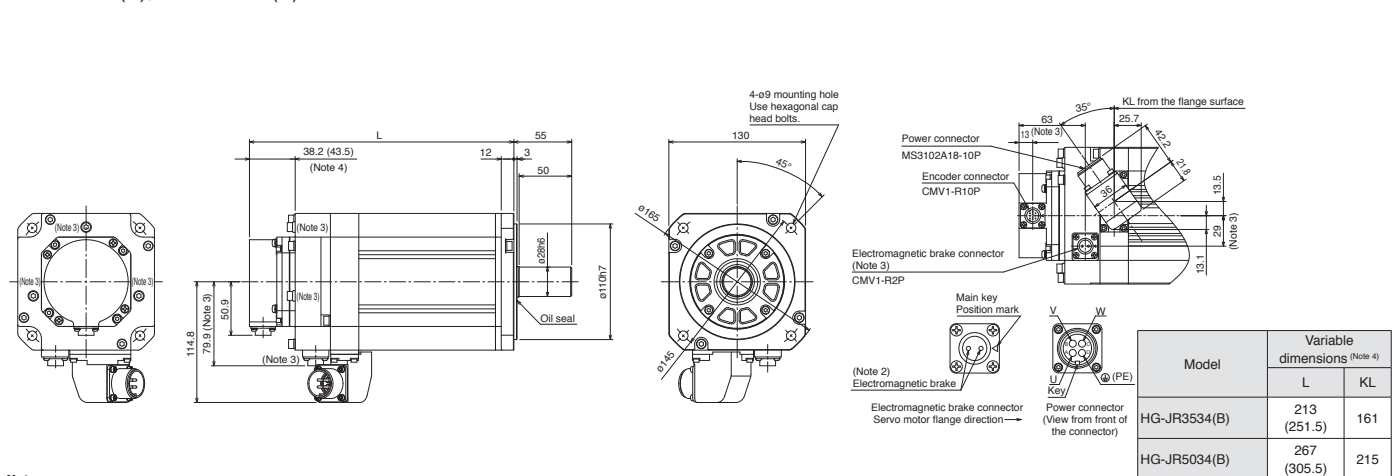
HG-JR53(B), HG-JR73(B), HG-JR103(B), HG-JR153(B), HG-JR203(B)
 HG-JR534(B), HG-JR734(B), HG-JR1034(B), HG-JR1534(B), HG-JR2034(B)



HG-JR353(B), HG-JR503(B)

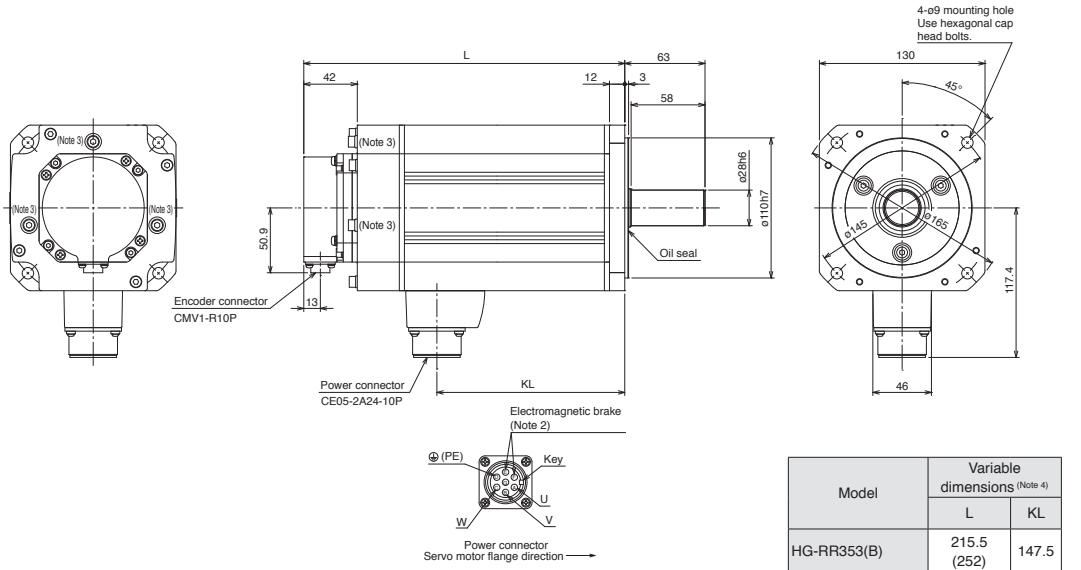


HG-JR3534(B), HG-JR5034(B)



- Notes:**
- For dimensions without tolerance, general tolerance applies.
 - The electromagnetic brake terminals do not have polarity.
 - Only for the models with electromagnetic brake.
 - Dimensions in brackets are for the models with electromagnetic brake.
 - Use a friction coupling to fasten a load.
- [Unit: mm]

HG-RR353(B), HG-RR503(B)

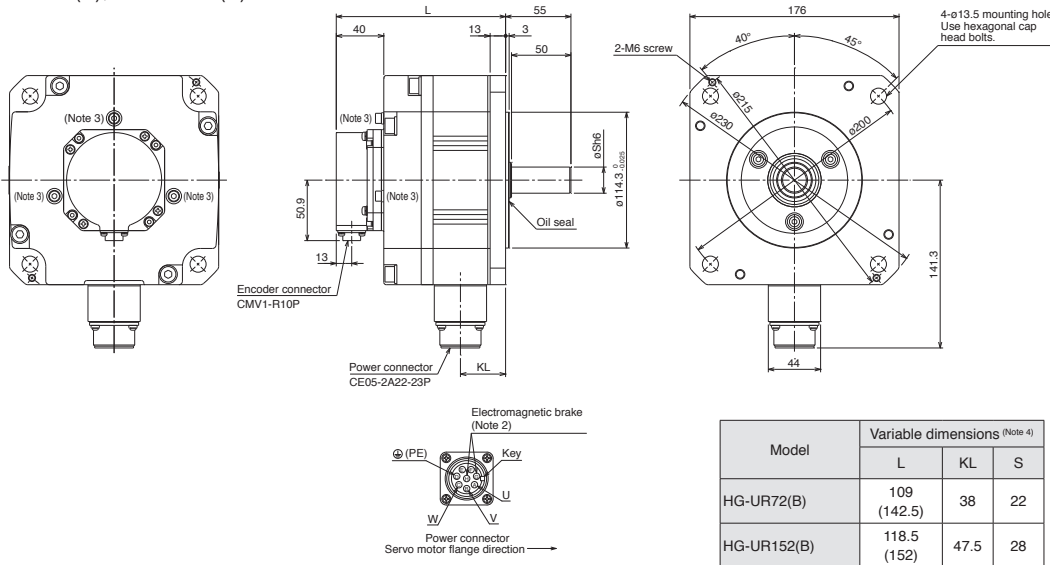


Model	Variable dimensions (Note 4)	
	L	KL
HG-RR353(B)	215.5 (252)	147.5
HG-RR503(B)	272.5 (309)	204.5

[Unit: mm]

HG-UR Series Dimensions (*1, *5)

HG-UR72(B), HG-UR152(B)



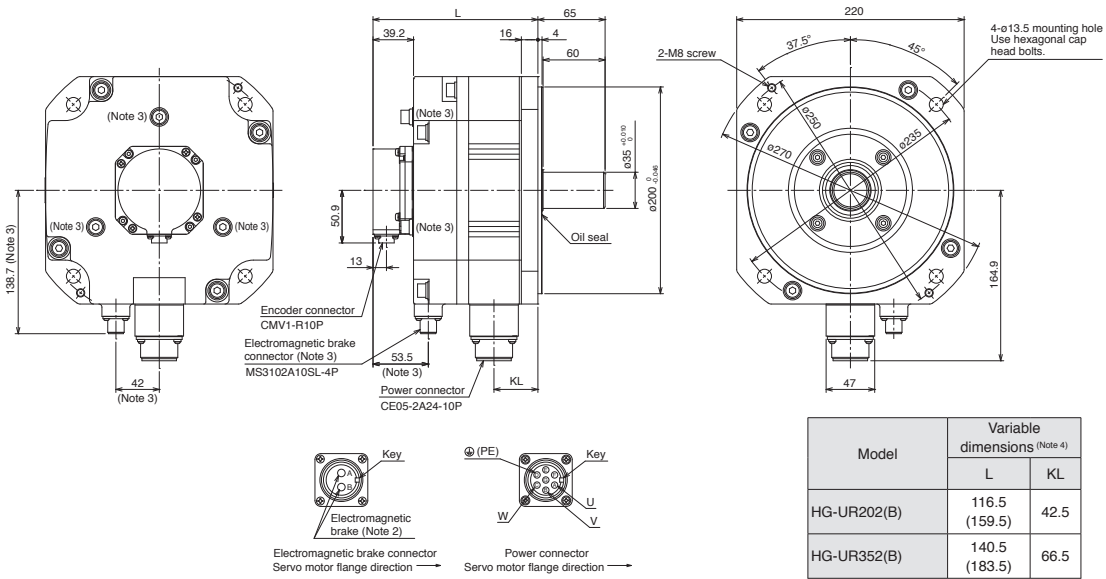
Model	Variable dimensions (Note 4)		
	L	KL	S
HG-UR72(B)	109 (142.5)	38	22
HG-UR152(B)	118.5 (152)	47.5	28

[Unit: mm]

Notes:

1. For dimensions without tolerance, general tolerance applies.
2. The electromagnetic brake terminals do not have polarity.
3. Only for the models with electromagnetic brake.
4. Dimensions in brackets are for the models with electromagnetic brake.
5. Use a friction coupling to fasten a load.

HG-UR202(B), HG-UR352(B), HG-UR502(B)



Model	Variable dimensions (Note 4)	
	L	KL
HG-UR202(B)	116.5 (159.5)	42.5
HG-UR352(B)	140.5 (183.5)	66.5
HG-UR502(B)	164.5 (207.5)	90.5

[Unit: mm]

Notes:

1. For dimensions without tolerance, general tolerance applies.
2. The electromagnetic brake terminals do not have polarity.
3. Only for the models with electromagnetic brake.
4. Dimensions in brackets are for the models with electromagnetic brake.
5. Use a friction coupling to fasten a load.